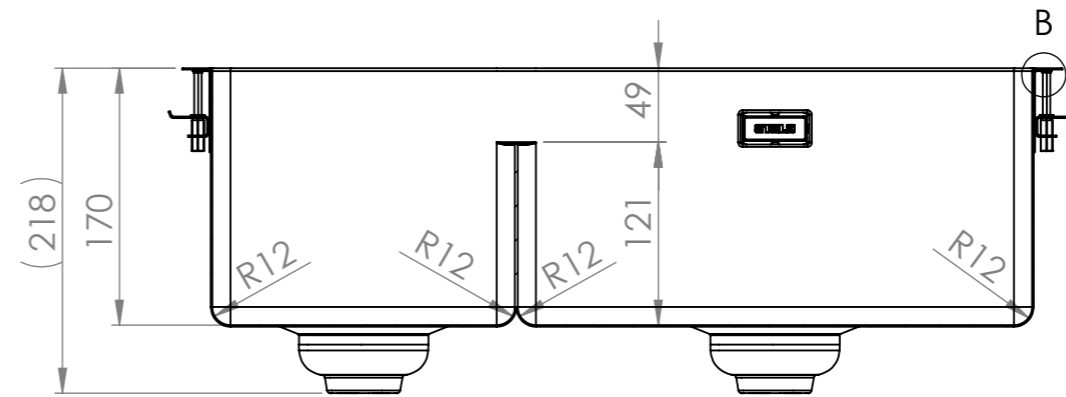
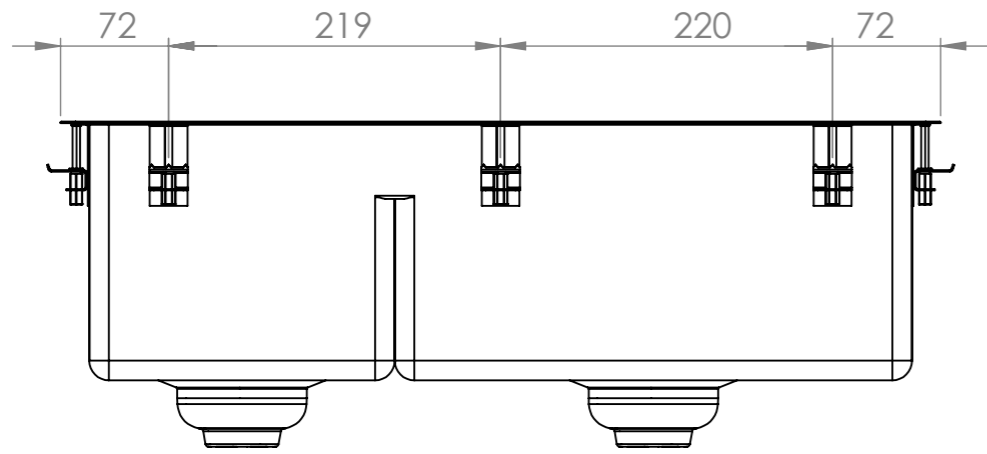


MAIN DIMENSIONS

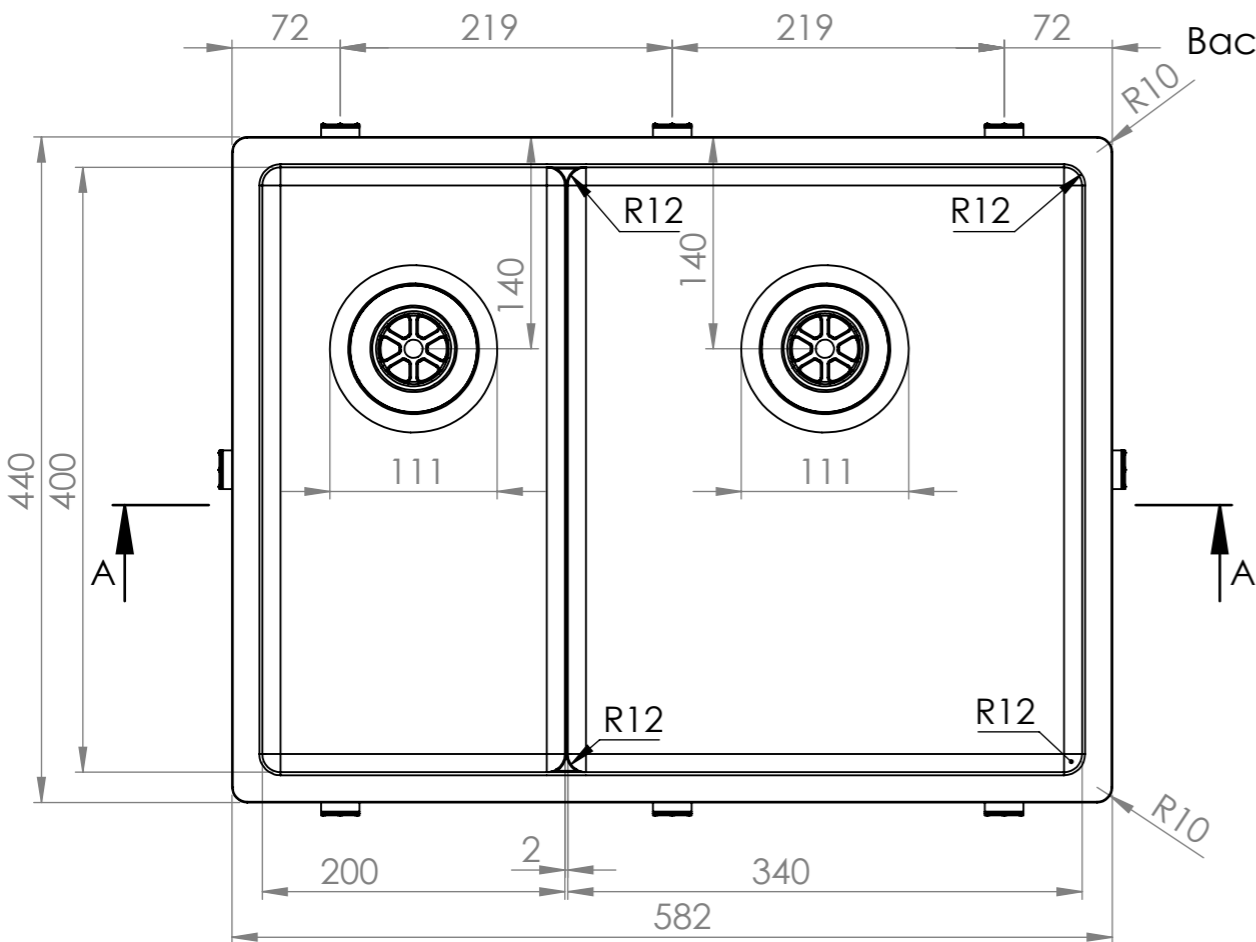
Change description

Date

Designed by

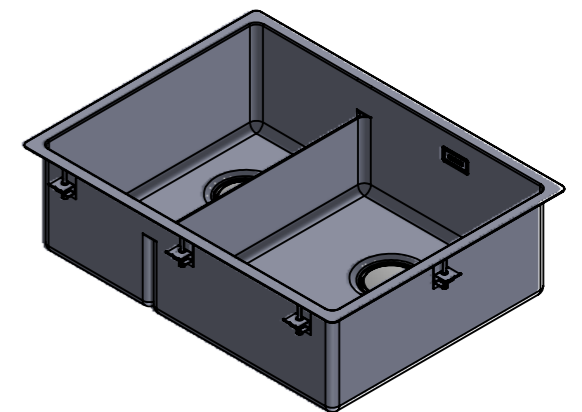
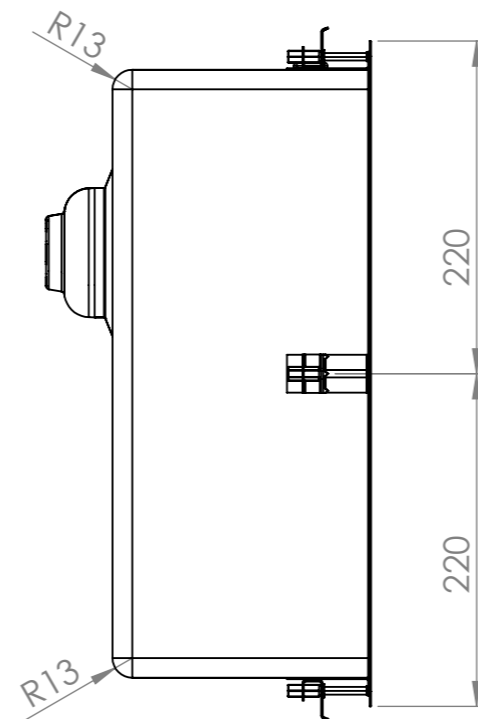
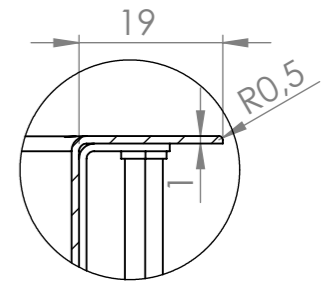


SECTION A-A



Back side fixing points

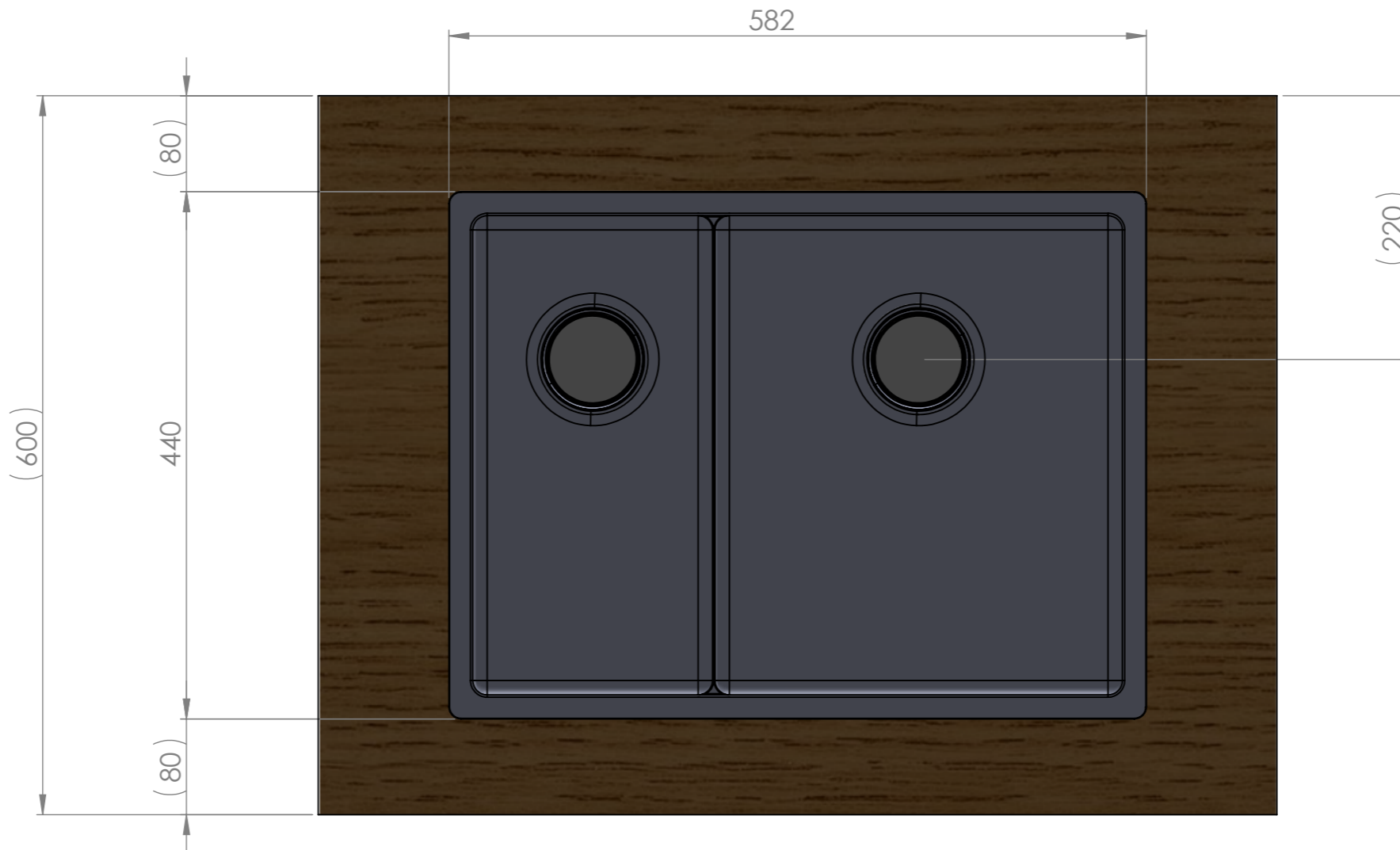
Mono sanded edge
DETAIL B
SCALE 1 : 1



	Mass	kg	General tolerance	Designed by	VS	Date	27.04.2022	
	Size	A3		Scale	1:5	Item	Approved by	VS
				Description ULTRA-20-34 Technical Data Sheet		Drawing number 19463		
Member of						Sheet/sheets 1/6		
						Rev A		

WORKTOP ASSEMBLY

Change description	Date	Designed by
--------------------	------	-------------



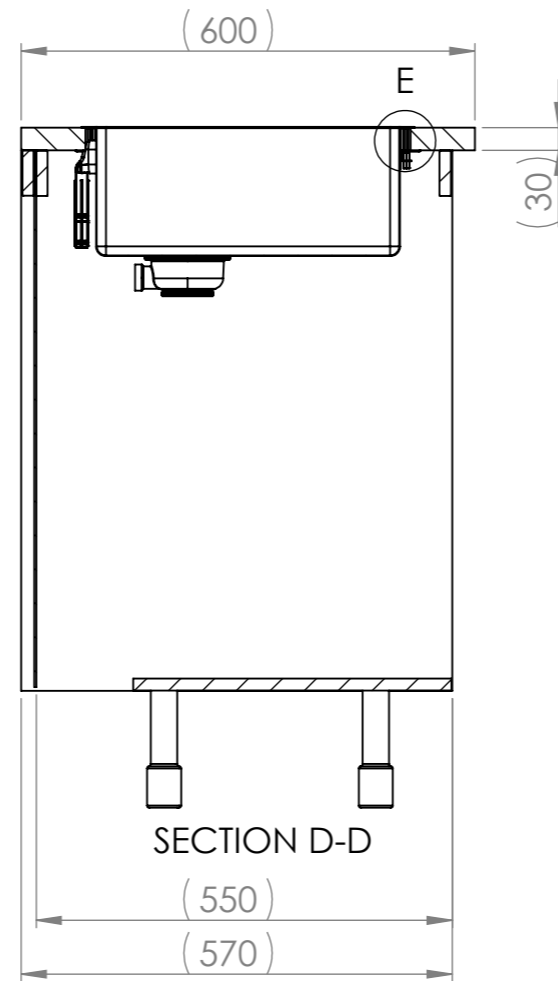
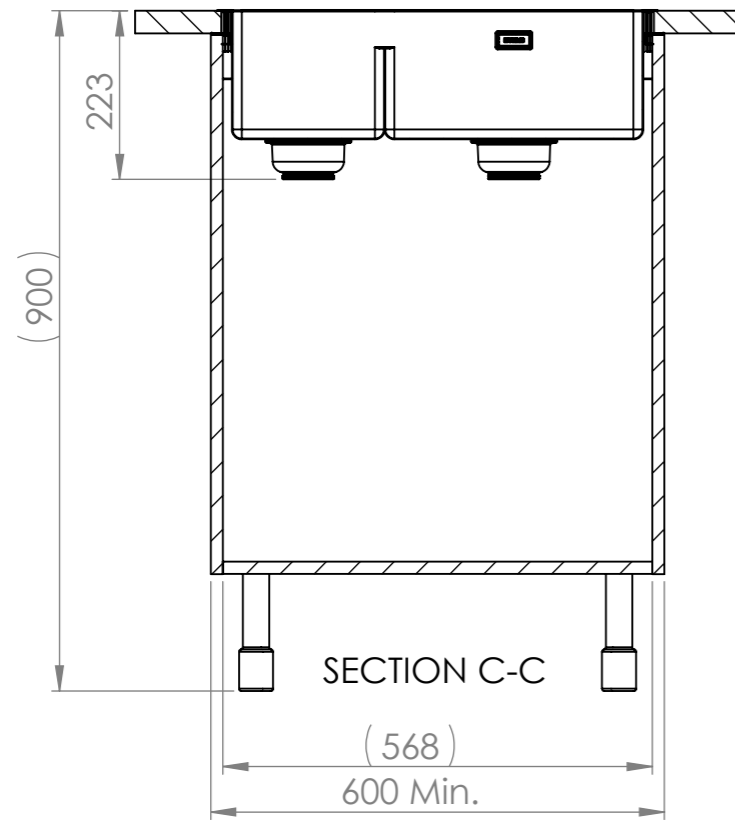
	Mass	kg	General tolerance	Designed by	Date
	Size	Scale	Item	VS	27.04.2022
 STALA Member of ALVEUS	A3	1:5	Description	Approved by	Date
			ULTRA-20-34	VS	10.05.2022
			Technical Data Sheet	Drawing number	Sheet/sheets
			19463	2/6	Rev
				A	

SPACE REQUIREMENTS

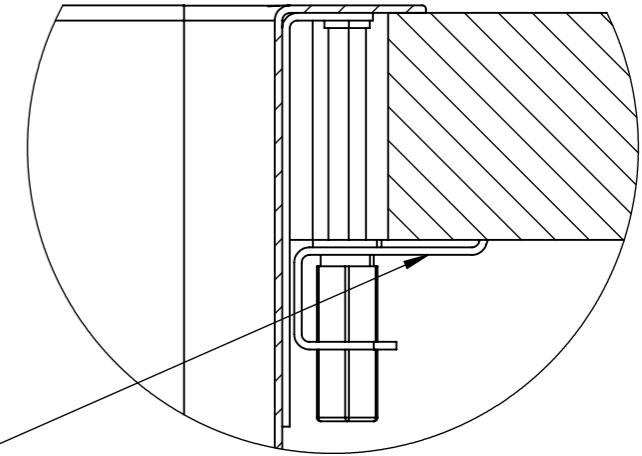
Change description

Date

Designed by



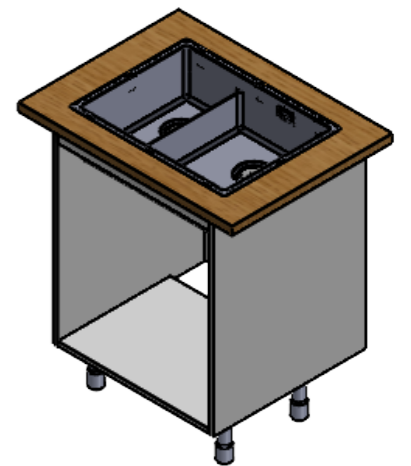
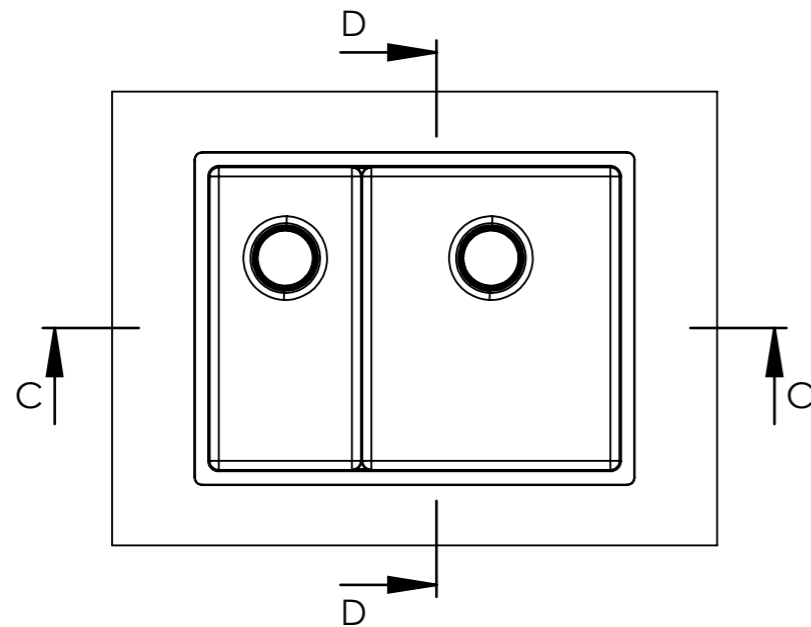
DETAIL E
SCALE 1 : 1



Huom!
Tarvittaessa kaapin väliseinää ja etu/takalistaa lovetettava kiinnikkeitä varten ja pesuallas on kiinnitettävä ennen työtason asennusta.

Obs!
Vid behov måste en inskärning för hofästena göras i skåpets mellanvägg och förbindningslist och diskbänken måste fästas innan du monterar bänkskivan.

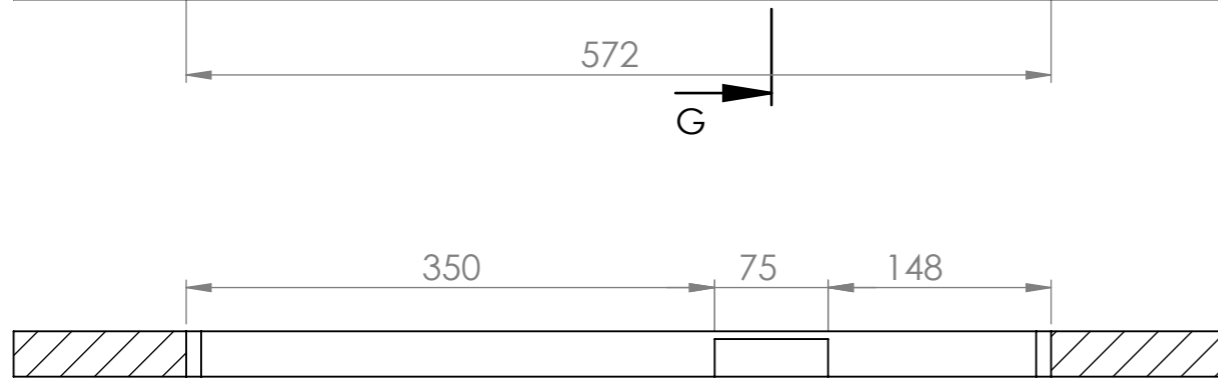
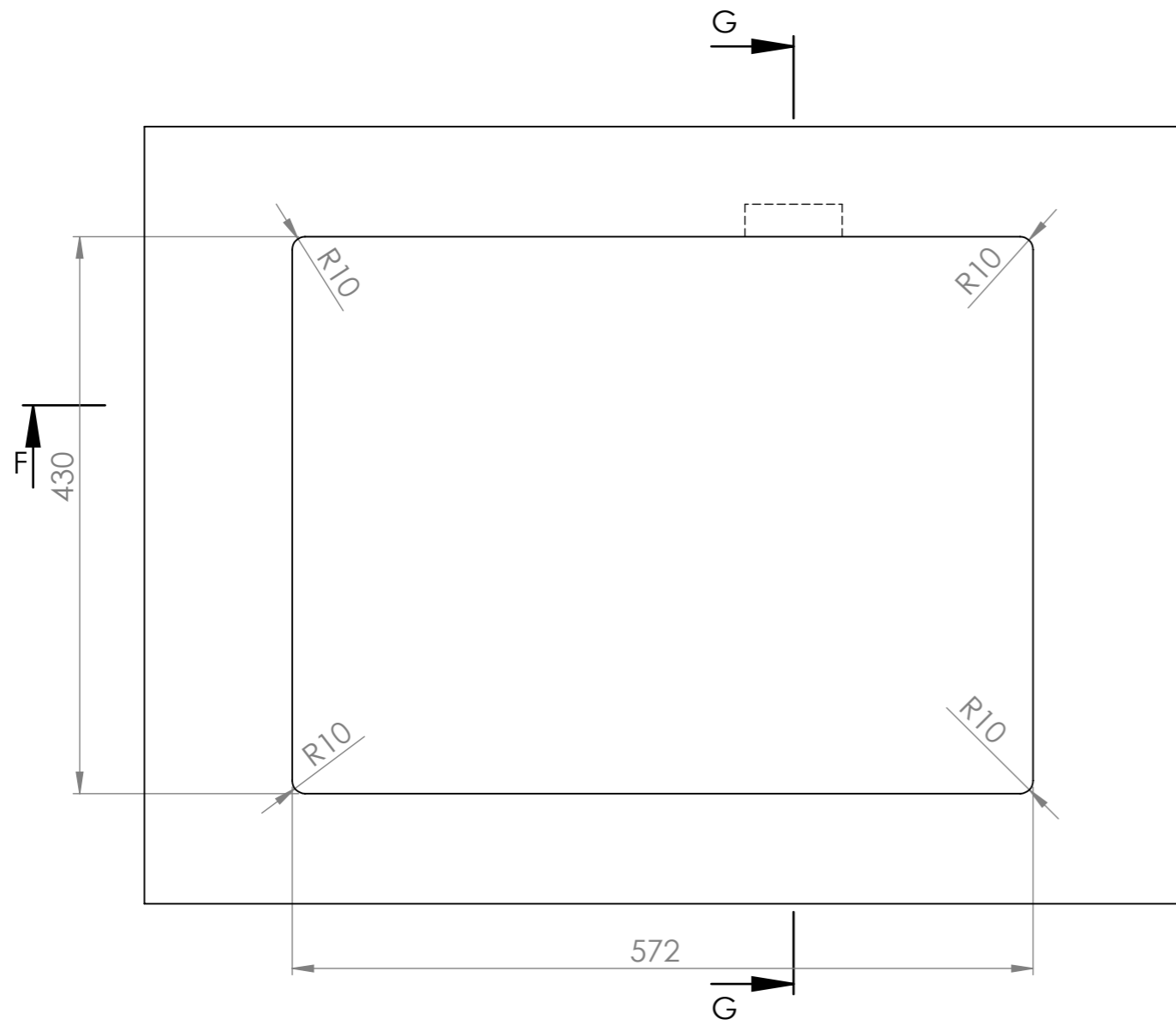
Notice!
The partition walls and front/back list of the cupboard must be notched for the sink mountings when needed and the sink must be fastened before installing the worktop.



	Mass	kg	General tolerance	Designed by	Date
	Size	Scale	Item	VS	27.04.2022
	A3	1:10	Description	Approved by	Date
	Member of ALVEUS	ULTRA-20-34	Technical Data Sheet	VS	10.05.2022
			Drawing number	Sheet/sheets	
			19463	3/6	
				Rev	A

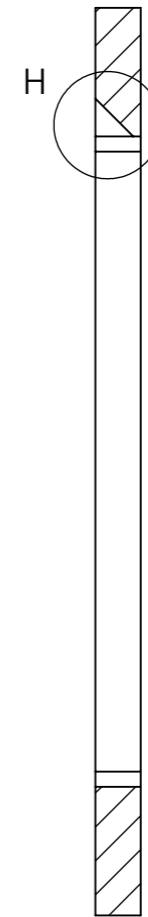
Change description	Date	Designed by
--------------------	------	-------------

CUT-OUT



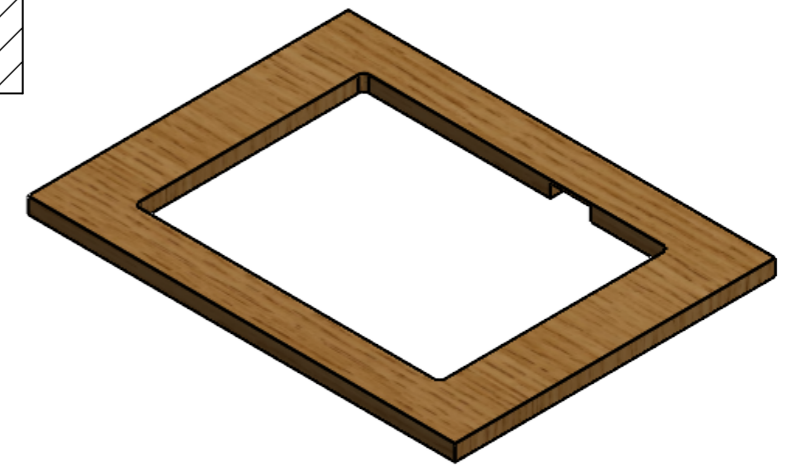
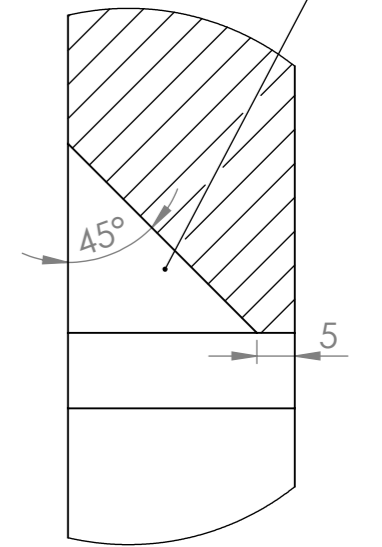
SECTION F-F

SECTION G-G



Cut-out for overflow

DETAIL H
SCALE 1 : 1



	Mass	kg	General tolerance	Designed by	Date
	Size	A3	Scale	VS	27.04.2022
	Item	ULTRA-20-34	Approved by	VS	Date
	Description	Technical Data Sheet	Drawing number	19463	10.05.2022
Member of	ALVEUS	Sheet/sheets	4/6	Rev	A

